

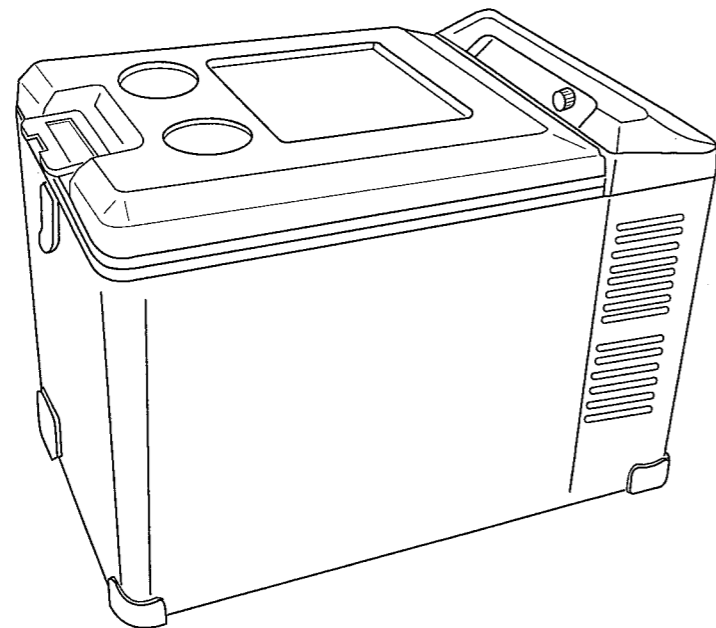


PARTS LIST

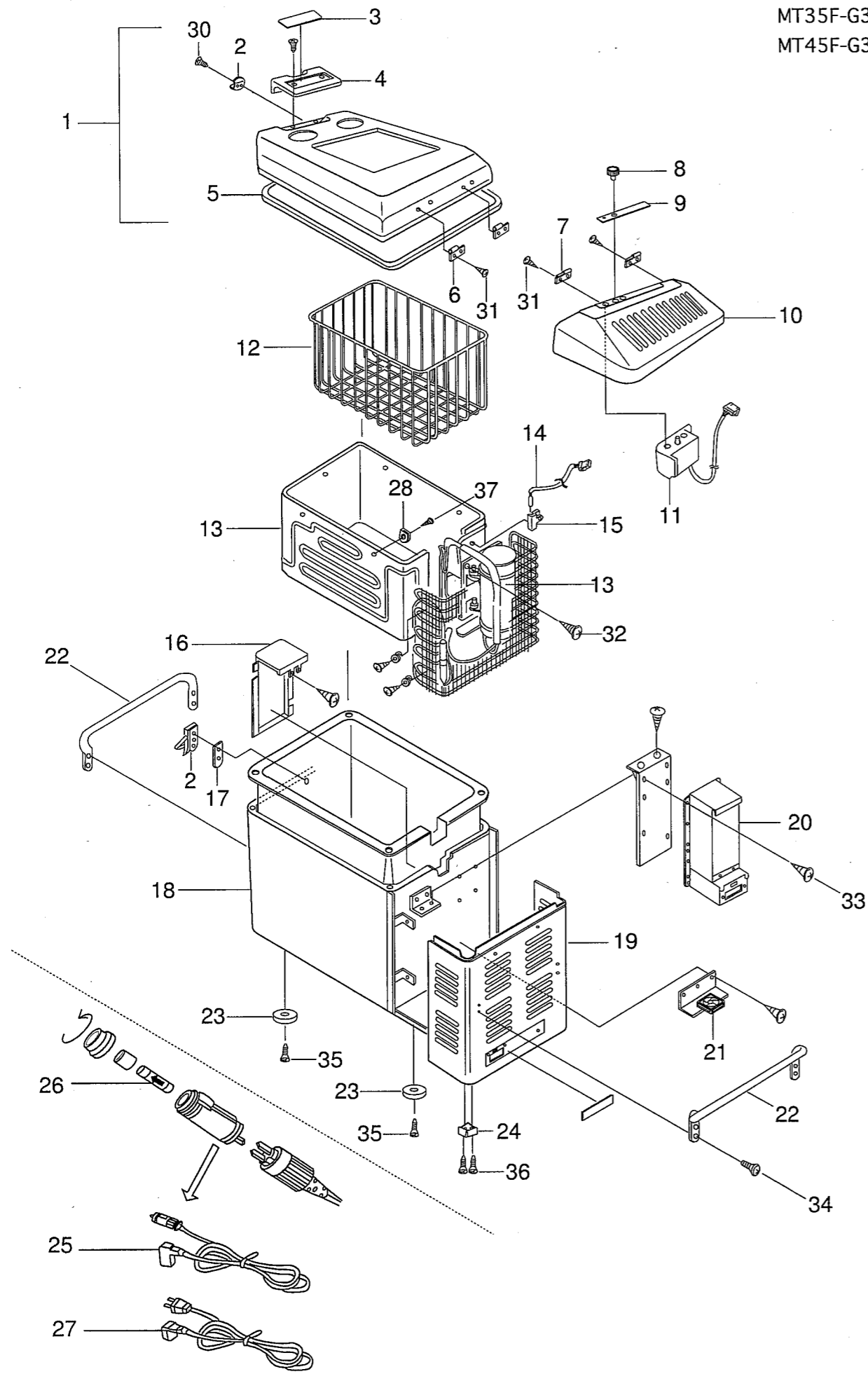
F SERIES MODEL

MT35F-G3

MT45F-G3



MT35F-G3
MT45F-G3



Model MT35F-G3 (0642 032 0S00)
MT45F-G3 (0642 042 0S00)

Illustration Number	Parts Number	Description	Quantity Per one unit	MIN. ORDER LOT
1	1600 448 00X9	Door Assembly	1	1
2	1609 356 00X9	Latch Assembly	1	1
3	5450 821 00X9	Mark	1	5
4	4225 004 01X9	Door Handle	1	1
5	4148 031 00X9	Gasket	1	1
6	1609 345 00X9	Hinge Assembly (set)	2	1
7	1609 345 00X9	Hinge Assembly (set)	2	1
8	1602 067 00X8	Dial Assembly	1	5
9	5450 822 00X9	Mark	1	5
10	1602 203 00X9	Cover Assembly	1	1
11	1601 169 10X9	Temperature Control Assembly	1	1
12-1	5230 037 00X9	Basket (MT35)	1	1
12-2	5230 038 00X9	Basket (MT45)	1	1
13-1	1610 115 00X9	Cooling Unit (MT35)	1	1
13-2	1610 116 00X9	Cooling Unit (MT45)	1	1
14	6055 054 10X9	Evaporator Thermistor	1	1
15	4223 050 00X9	Holder	1	5
16	4330 039 00X9	Cover Pipe	1	1
17	4301 130 00X9	"I" Plate	1	5
18-1	1600 446 00X9	Cabinet Assembly (MT35)	1	1
18-2	1600 447 00X9	Cabinet Assembly (MT45)	1	1
19-1	1609 346 00X9	Case Cover Assembly (MT35)	1	1
19-2	1609 347 00X9	Case Cover Assembly (MT45)	1	1
20	1601 170 00X9	Power Supply	1	1
21-1	6080 007 20X9	Motor Fan (MT35 Model)	1	1
21-2	1609 289 00X9	Motor Fan (MT45 Model)	1	1
22	3233 010 00X9	Handle	2	2
23	4120 139 00X9	Cushion	4	4
24	4274 009 30X9	Corner Cushion	4	4
25	1912 404 00X9	DC Cord Assembly	1	1
26	1603 002 00X8	Special Thermal Fuse	1	1
27	1912 407 00X9	AC Cord Assembly	1	1
28	4220 067 10X0	Holder	3	3

30	8081 034 1220	M3×12	2	100
31	8010 040 1440	M4×14	4	100
32	8083 043 1210	M4×12	4	100
33	8084 043 0810	M4×8	2	100
34	8050 040 1040	M4×10	8	100
35	8000 016 1610	M6×8	4	100
36	8083 044 1210	M4×12	8	100
37	8081 044 2520	M4×25	3	100

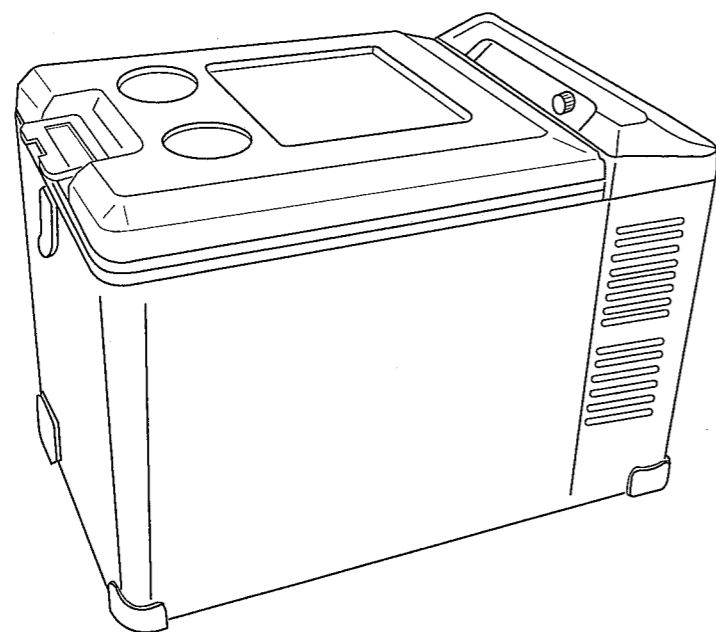


PARTS LIST

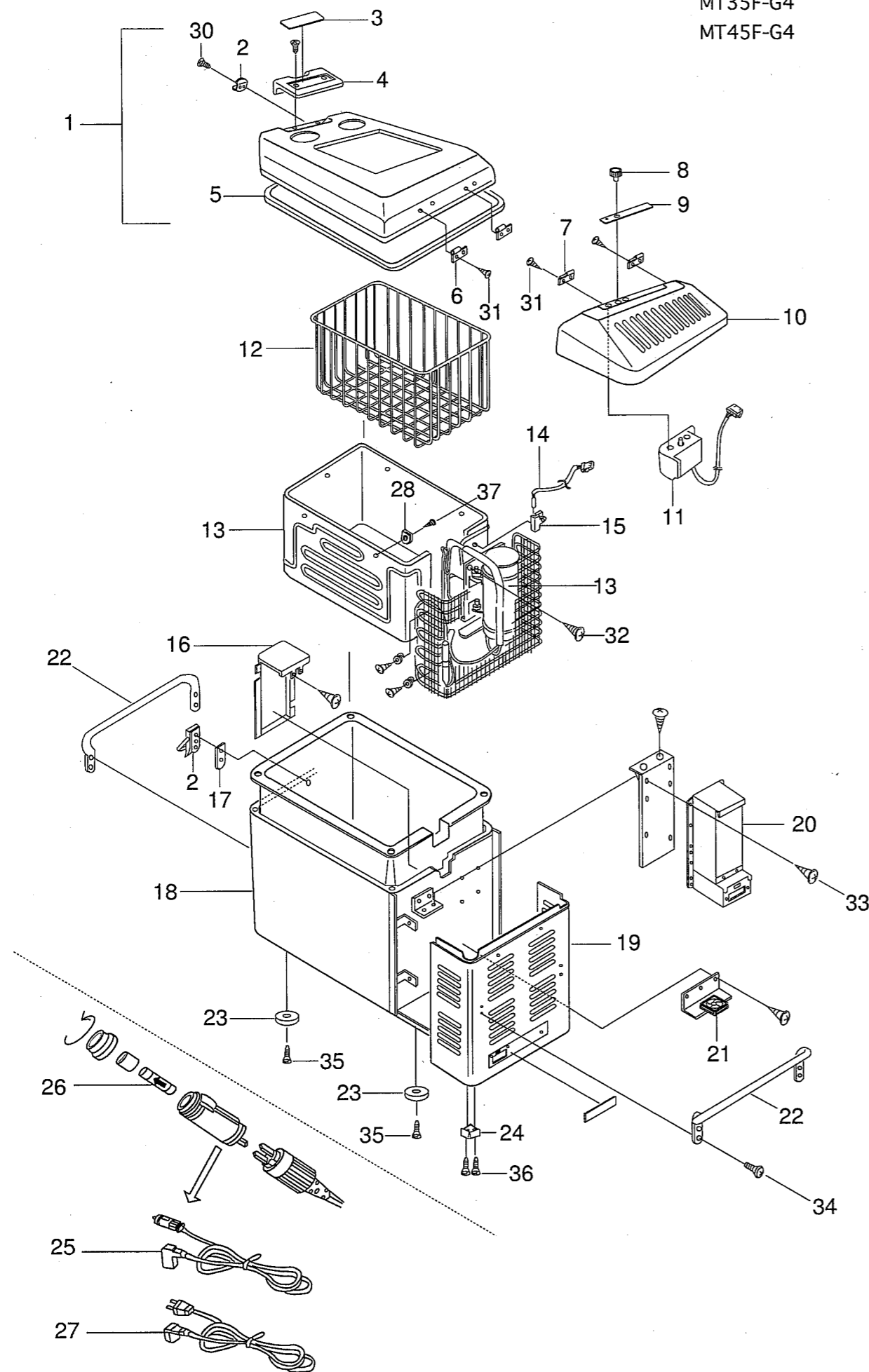
F SERIES MODEL

MT35F-G4

MT45F-G4



MT35F-G4
MT45F-G4



Model MT35F-G4 (0642 032 0T00)
MT45F-G4 (0642 042 0T00)

Illustration Number	Parts Number	Description	Quantity Per one unit	MIN . ORDER LOT
1	1600 448 00X9	Door Assembly	1	1
2	1609 356 00X9	Latch Assembly	1	1
3	5450 821 00X9	Mark	1	5
4	4225 004 01X9	Door Handle	1	1
5	4148 031 00X9	Gasket	1	1
6	1609 345 00X9	Hinge Assembly (set)	2	1
7				
8	1602 067 00X8	Dial Assembly	1	5
9	5450 822 00X9	Mark	1	5
10	1602 203 00X9	Cover Assembly	1	1
11	1601 169 10X9	Temperature Control Assembly	1	1
12-1	5230 037 00X9	Basket (MT35)	1	1
12-2	5230 038 00X9	Basket (MT45)	1	1
13-1	1610 115 00X9	Cooling Unit (MT35)	1	1
13-2	1610 116 00X9	Cooling Unit (MT45)	1	1
14	6055 054 10X9	Evaporator Thermistor	1	1
15	4223 050 00X9	Holder	1	5
16	4330 039 00X9	Cover Pipe	1	1
17	4301 130 00X9	"I" Plate	1	5
18-1	1600 446 00X9	Cabinet Assembly (MT35)	1	1
18-2	1600 447 00X9	Cabinet Assembly (MT45)	1	1
19-1	1609 346 00X9	Case Cover Assembly (MT35)	1	1
19-2	1609 347 00X9	Case Cover Assembly (MT45)	1	1
20	1601 168 00X9	Power Supply	1	1
21-1	6080 007 20X9	Motor Fan (MT35 Model)	1	1
21-2	1609 289 00X9	Motor Fan (MT45 Model)	1	1
22	3233 010 00X9	Handle	2	2
23	4120 139 00X9	Cushion	4	4
24	4274 009 30X9	Corner Cushion	4	4
25	1912 404 00X9	DC Cord Assembly	1	1
26	1603 002 00X8	Special Thermal Fuse	1	1
27	1912 116 60X9	AC Cord Assembly	1	1
28	4220 067 10X0	Holder	3	3

30	8081 034 1220	M3×12	2	100
31	8010 040 1440	M4×14	4	100
32	8083 043 1210	M4×12	4	100
33	8084 043 0810	M4×8	2	100
34	8050 040 1040	M4×10	8	100
35	8000 016 1610	M6×8	4	100
36	8083 044 1210	M4×12	8	100
37	8081 044 2520	M4×25	3	100